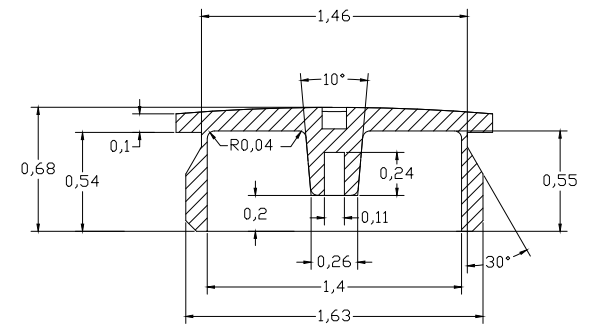
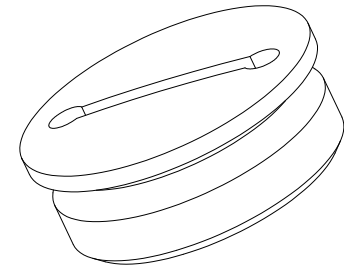
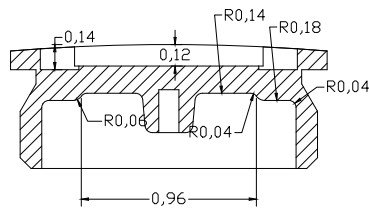
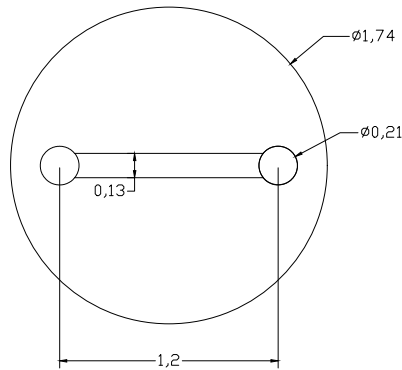
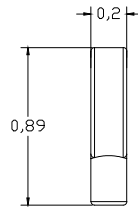
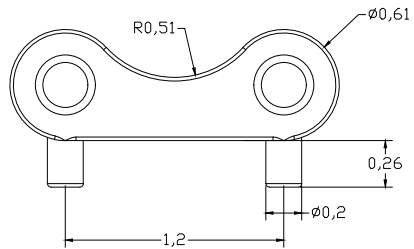
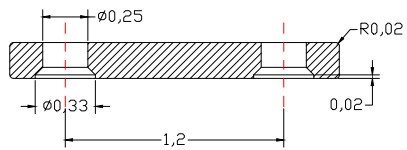
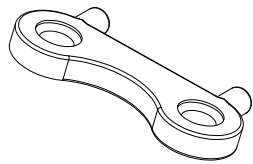


Whitecap

Units	INCHES	View	
P/N	6123A		20171128



Whitecap

Units	INCHES	View	
P/N	6123A-1		20171128