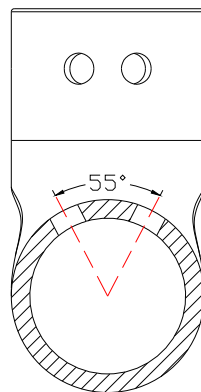
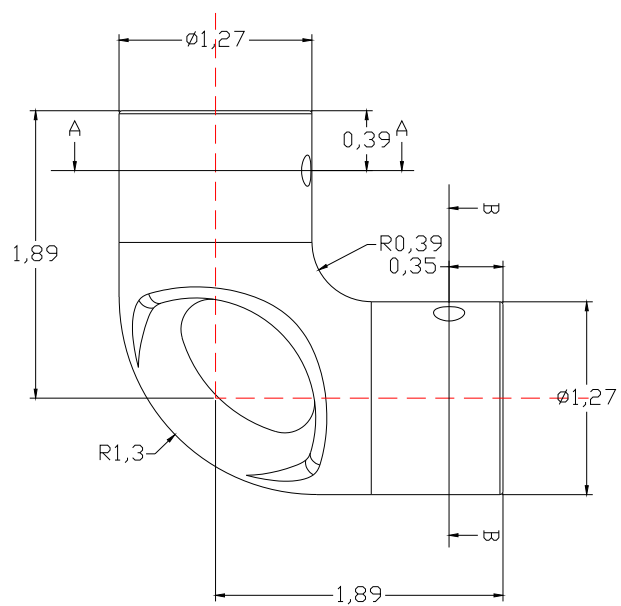
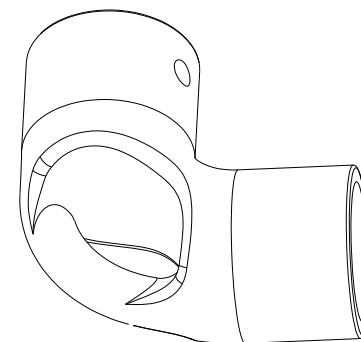
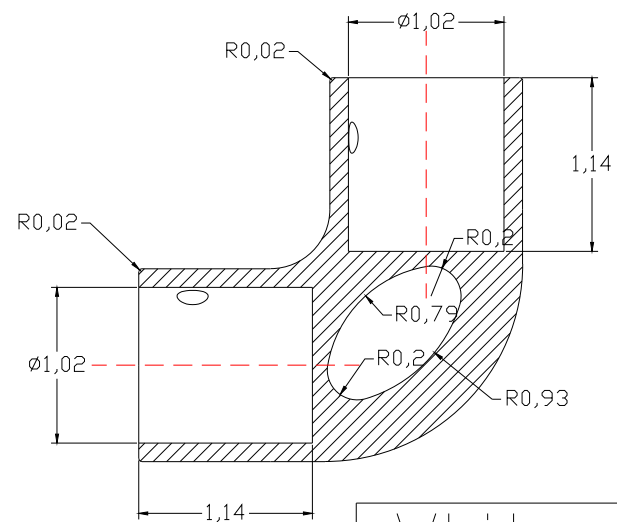


A-A



B-B



Whitecap

Units	INCHES	View	
P/N	6192		20161230