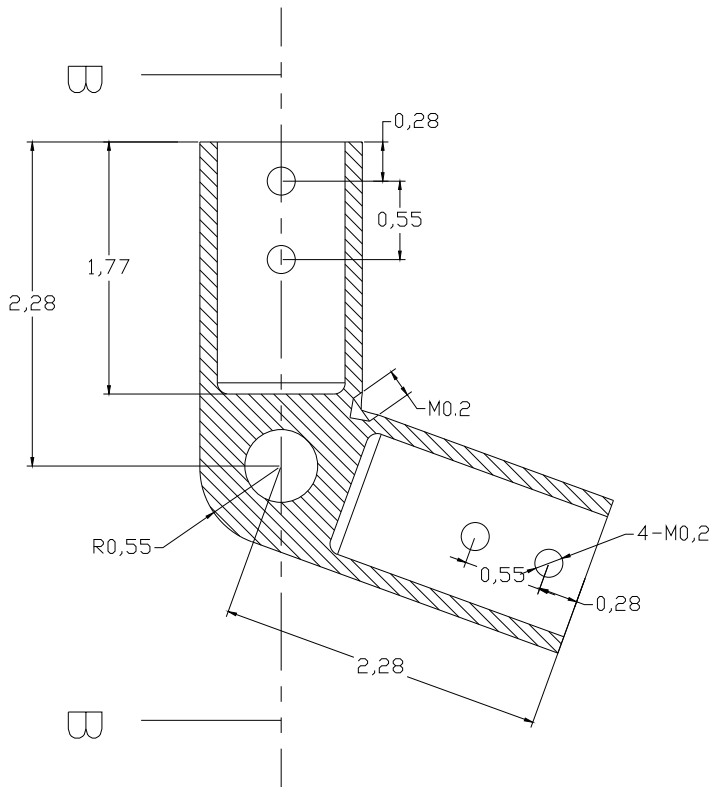
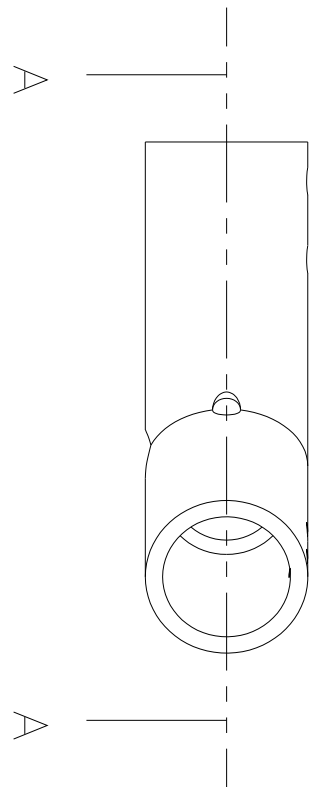


SECTION B-B



SECTION A-A



Whitecap			
Units	INCHES	View	
P/N	6051		20161120