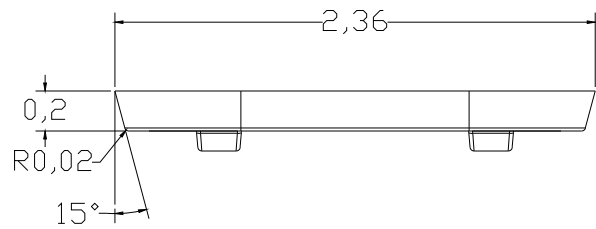
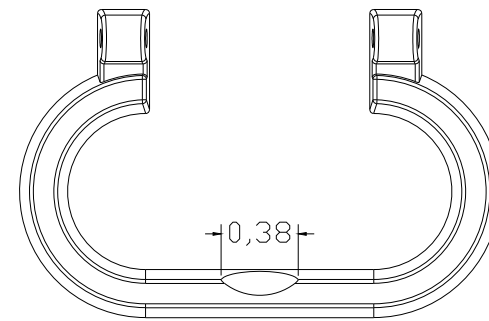
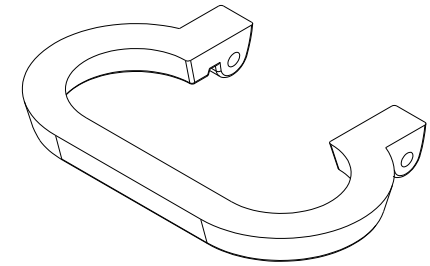
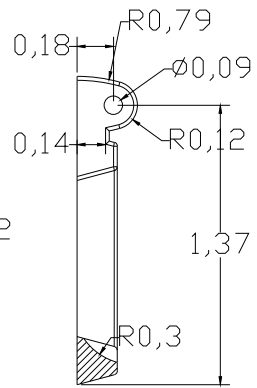
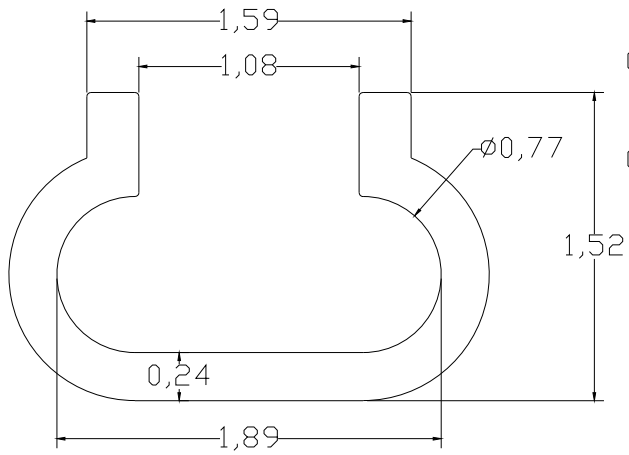
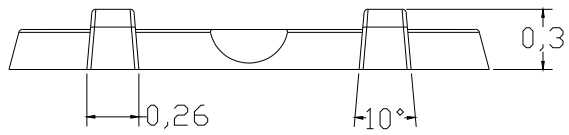


Whitecap

Units	INCHES	View	
P/N	S-3364-A		20170820



Whitecap

Units	INCHES	View	
P/N	S-3364-B		20170820