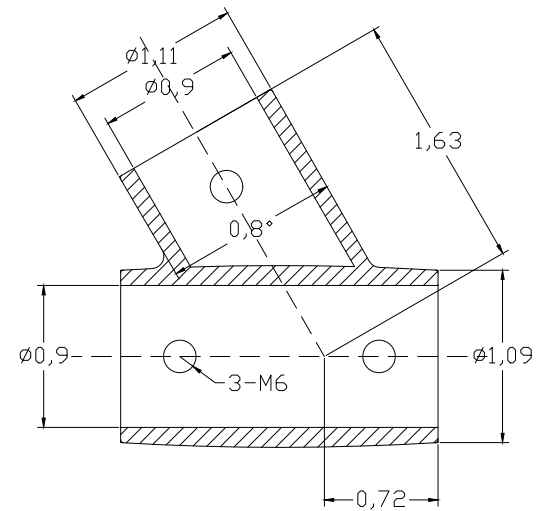
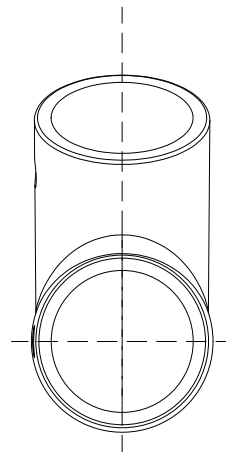
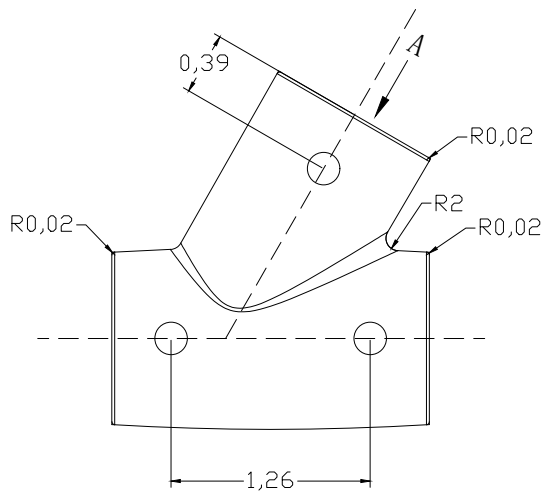
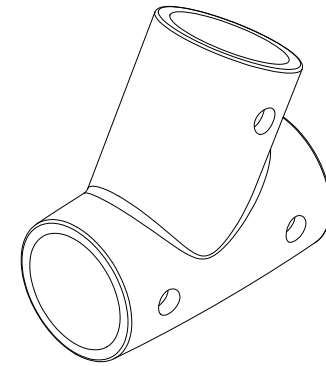


A



Whitecap

Units	INCHES	View	
P/N	S-1441		20161226